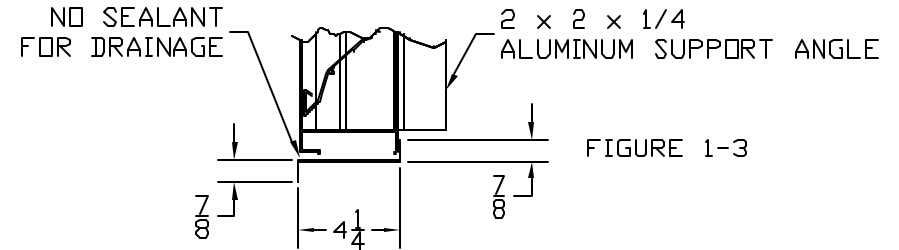
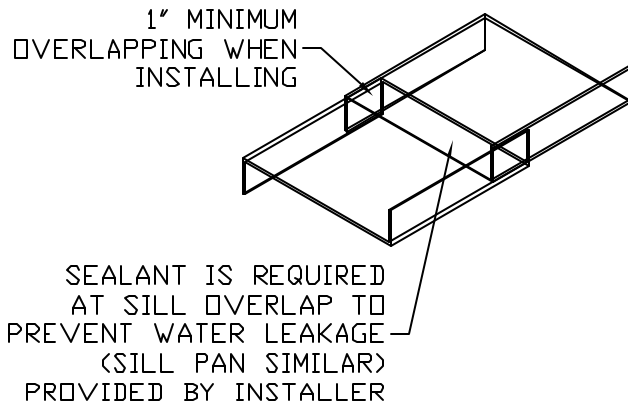
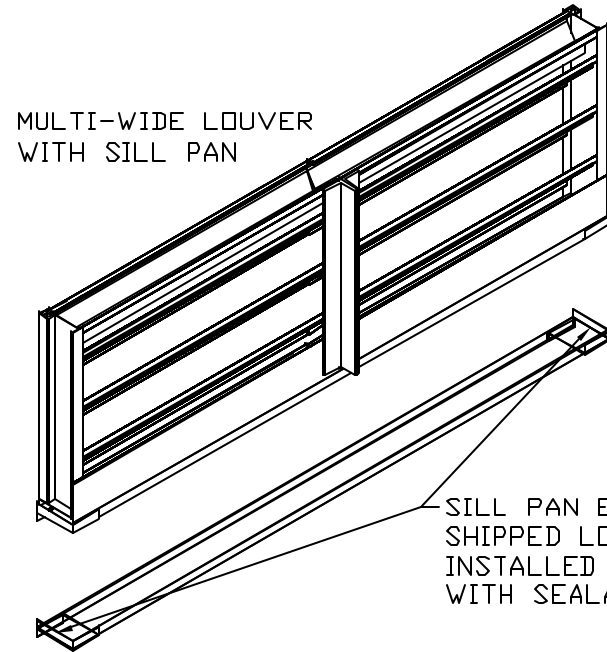
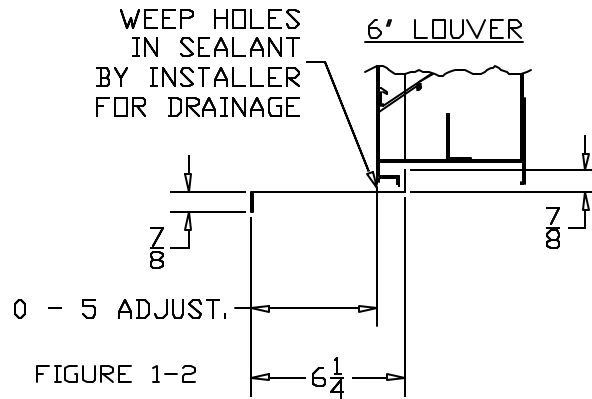
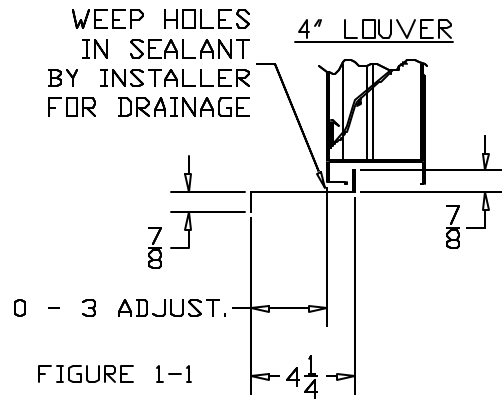


INSTALLATION NOTES

- ALL MOUNTING FASTENERS TO OPENINGS, SEALANT, SHIMS, MASONRY ANCHORS, ETC. ARE NOT SUPPLIED OR INSTALLED BY LOUVER MFRG.
- CLIP ANGLES, MOUNTING PLATES, FASTENERS TO LOUVERS, AND STRUCTURAL SUPPORTS CAN ONLY BE PROVIDED AT AN ADDITIONAL COST. PLEASE CONSULT FACTORY FOR PRICING.
- RECOMMENDED MOUNTING FOR DEEP WALL OPENINGS: AS A MINIMUM USE 1-1/2 x 1-1/2 x 1/8 CONTINUOUS PLATE OR CLIP ANGLES ON INSIDE PERIMETER OF LOUVER FRAME WITH 1/4" DIAMETER FASTENERS ON MAX. 18" CENTERS. THE LOCATION OF 1/4" DIAMETER MOUNTING ANCHOR BOLTS SHOULD BE SUCH AS TO GIVE A MINIMUM OF 2 BOLTS ON A SIDE.
- RECOMMENDED MOUNTING FOR NARROW WALL OPENINGS: AS A MINIMUM USE 1/8 x 1-1/2 x 3 MOUNTING PLATES OR CONTINUOUS PLATE ON INSIDE PERIMETER OF LOUVER FRAME WITH 1/4" DIAMETER FASTENERS ON MAX. 18" CENTERS. THE LOCATION OF 1/4" DIAMETER MOUNTING BOLTS SHOULD BE SUCH AS TO GIVE A MINIMUM OF 2 BOLTS ON A SIDE.
- WIDTH AND HEIGHT DIMENSIONS ARE OPENING SIZES. LOUVERS ARE MADE UNDERSIZED, TYPICAL 1/4" AROUND PERIMETER OF LOUVER FRAME. LOUVERS WITH LARGER UNDERSIZING CAN BE SUPPLIED UPON REQUEST.
- THESE ARE GENERAL MOUNTING ARRANGEMENTS FOR LOUVER WALL OPENINGS. VIEWS SHOWN SHOULD COVER MOST MOUNTING SITUATIONS ENCOUNTERED. LARGE MULTIPLE WIDE AND/OR HIGH LOUVER PANEL ASSEMBLIES REQUIRE STRUCTURAL SUPPORT ON INTERIOR OF LOUVER PANELS, WHICH CAN BE PROVIDED AT AN ADDITIONAL COST.
- REFERENCE DRAWING No. 22465 AND 22466 FOR LOUVER MULLION INSTALLATION INSTRUCTIONS AS REQUIRED.
- BECAUSE LOCAL BUILDING CODES AND INSTALLATION STANDARDS MAY VARY FROM OUR RECOMMENDED MINIMUMS, WE RECOMMEND THAT THEY BE USED OVER OURS WHEN AND WHERE REQUIRED.

REVISED	DATE	BY	APP'D
REVISION	DATE	BY	APP'D
QWV american warming and ventilating			
A MESTEK COMPANY			
7301 INTERNATIONAL DRIVE		HOLLAND, OHIO	
Phone (419) 866-5000		Fax (419) 866-1376	
STANDARD INSTALLATION METHODS			
DRN BY	DATE	APP'D BY	REV. NO.
DRN BY	DATE	APP'D BY	REV. NO.
DATE	09/21/96		900
			A

INSTALLATION METHODS



SILL EXTENSIONS

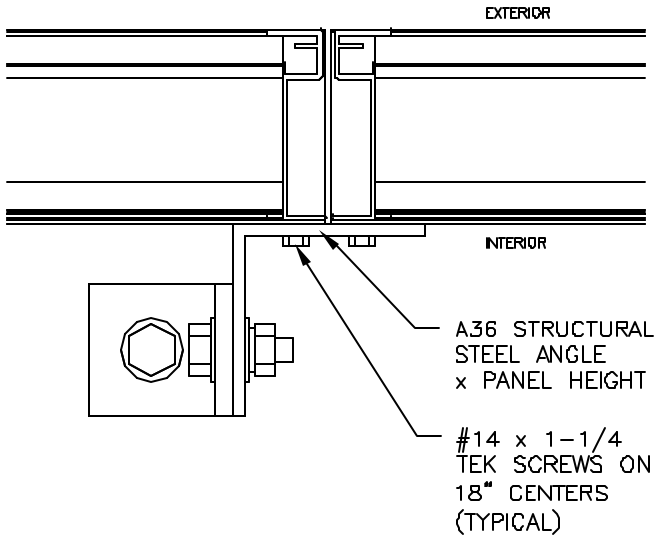
SILL PANS

STANDARDS & INSTALLATION NOTES

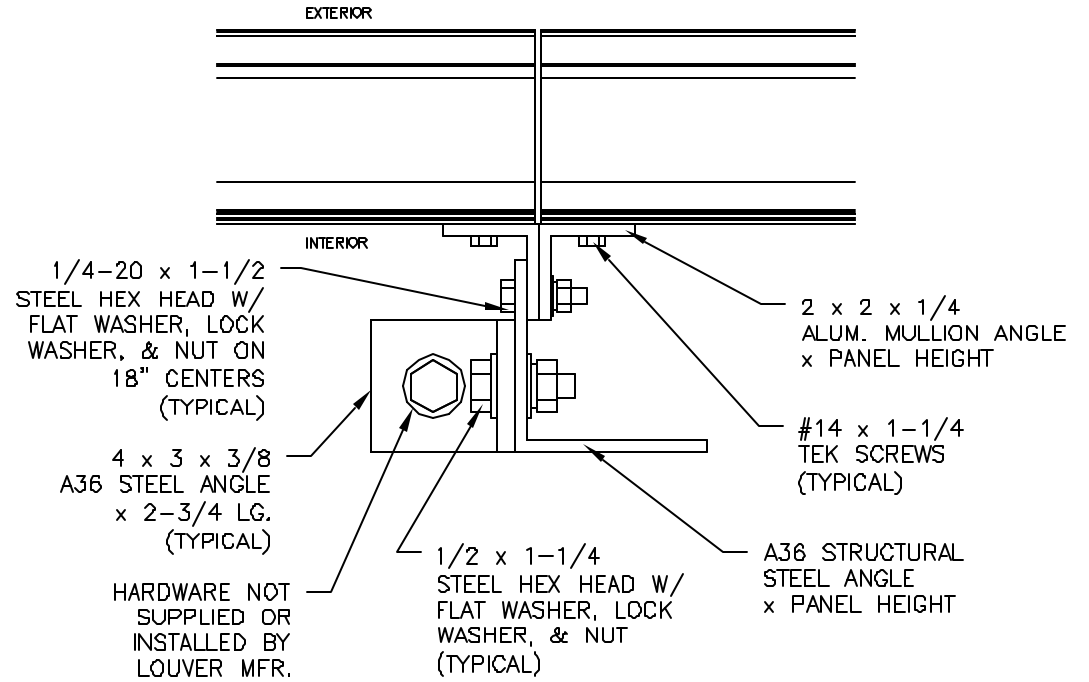
1. SILL EXTENSIONS ARE SUPPLIED IN STANDARD LENGTHS & DEPTHS
2. SILL PANS ARE A STANDARD IN MULTI-WIDE LOUVER ASSEMBLIES THAT HAVE AN ARCHITECTURAL MULLION. THE PROVISION OF SILL PANS WITH OTHER LOUVERS IS OPTIONAL. SILL PANS CAN BE FORMED IN VARIOUS LENGTHS & DEPTHS TO SUIT CUSTOMER NEEDS.
3. SILL EXTENSIONS & PAN SILLS FOR MULTI-WIDE LOUVER ASSEMBLIES ARE PROVIDED IN TYPICAL LENGTHS UP TO 96" (8'-0").
4. BOTH SILL EXTENSIONS & SILL PANS ARE FINISHED TO MATCH THE TYPE OF FINISH & COLOR PROVIDED ON THE LOUVER ASSEMBLY.
5. SILL EXTENSIONS ARE ADJUSTABLE TO THE EXTERIOR SIDE OF THE LOUVER. PROVISION OF ADDITIONAL DEPTH IS OPTIONAL. (SEE FIGURES 1-1 & 1-2).
6. SILL EXTENSIONS & SILL PANS ARE PROVIDED IN 0.025" THICK ALUMINUM OR 20 GA. GALVANIZED STEEL. PROVISION OF ADDITIONAL MATERIAL THICKNESS IS OPTIONAL.

A	UPDATED	RE/ED/D	JMC	DATE	DRN	APP'D
	REVISION					
awv american warming and ventilating A MESTEK COMPANY 7301 INTERNATIONAL DRIVE HOLLAND, OHIO Phone (419) 865-5000 Fax (419) 865-1975						
STD. INSTAL. METHODS FOR SILL EXTENSIONS & SILL PANS						
DRN BY	APP'D BY					
DRN BY	JJV	DWG. NO.	900-1			
DATE	11/03/96					REV. A

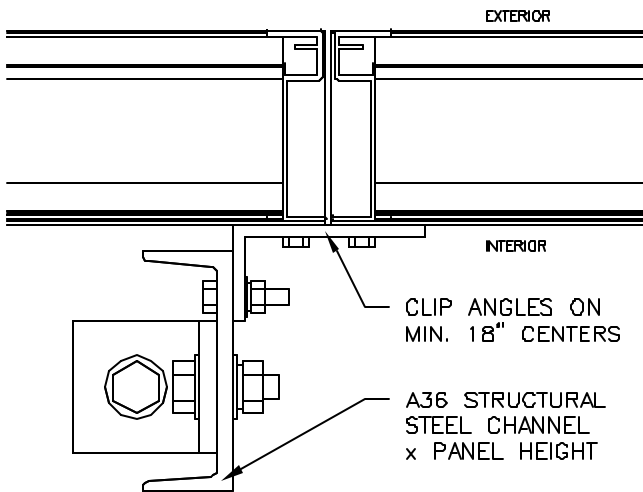
STD. VISIBLE MULLION ANGLE SUPPORT



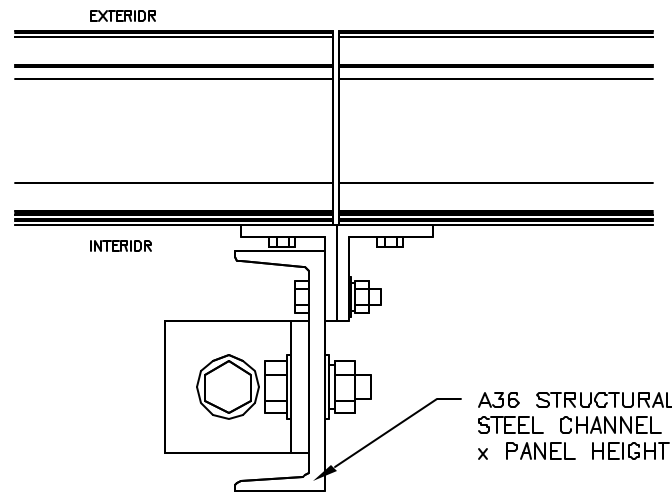
ARCHITECTURAL MULLION ANGLE SUPPORT



STD. VISIBLE MULLION CHANNEL SUPPORT



ARCHITECTURAL MULLION CHANNEL SUPPORT



REVISION	DATE	BY	CHK	APPD
awv american warming and ventilating				
A MESTEK COMPANY				
7301 INTERNATIONAL DRIVE		HOLLAND, OH 43040		
Phone (419) 865-5000		Fax (419) 865-1375		
STRUCTURAL SUPPORTS FOR MULTI-WIDE PANEL LOUVERS				
DRW BY	JWC	DATE	04/24/01	REV.
APPD BY	JWC	DWG. NO.	32968-1-STD	REV.

ST-32968-1